

EC-151

Robotic Palletizer

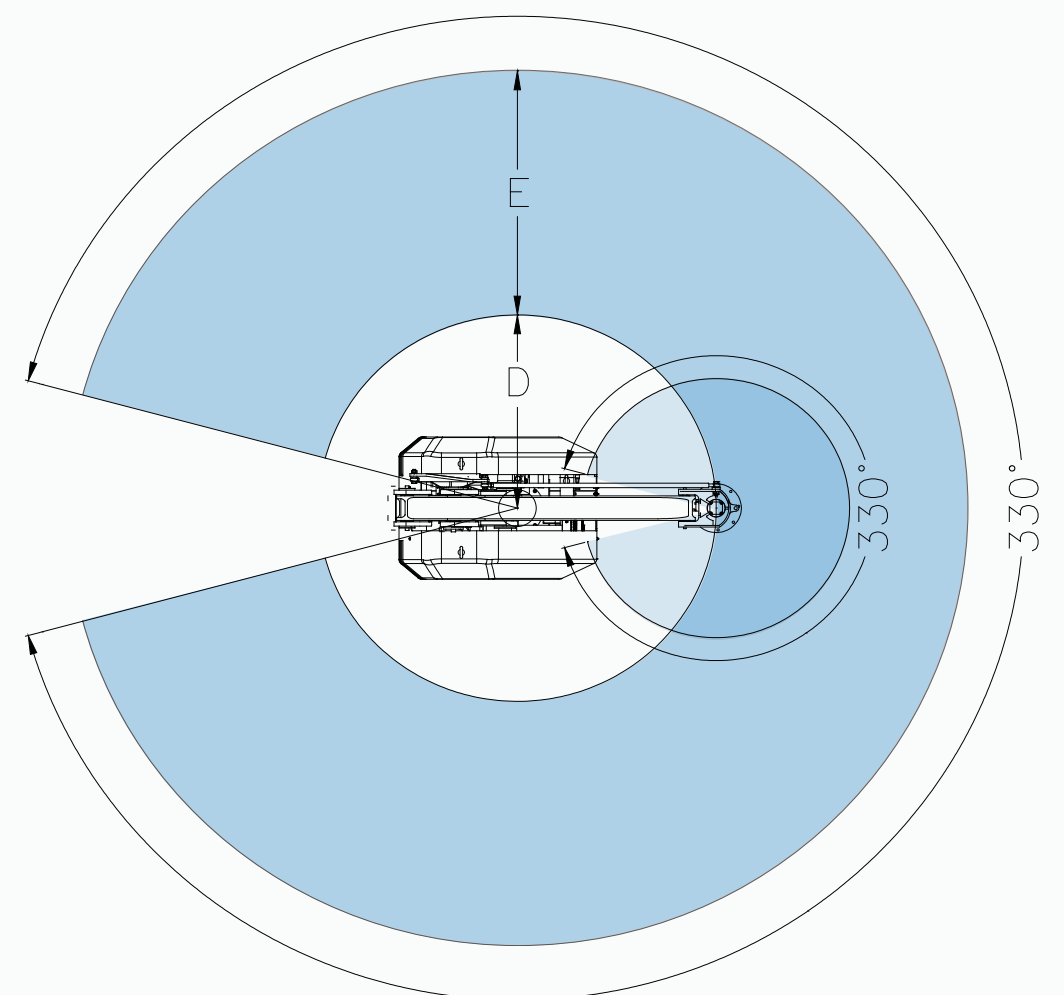
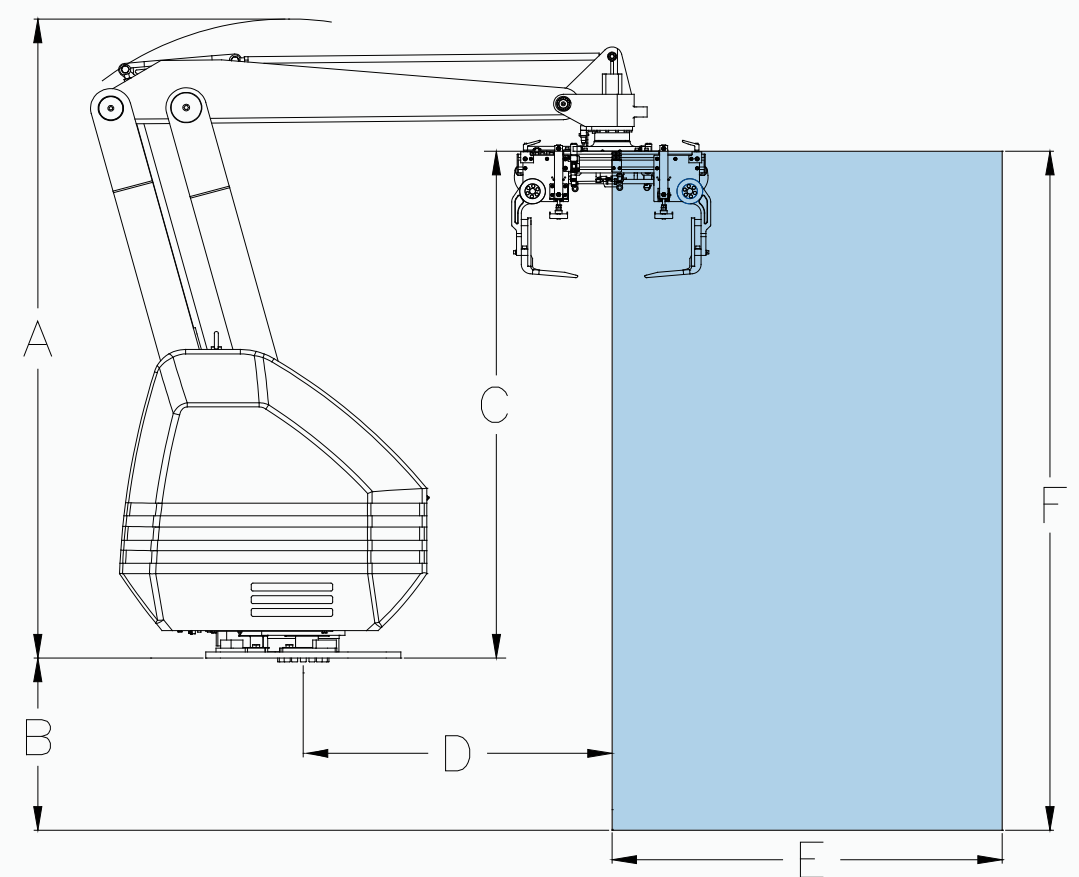


The **EC-151** has a slightly shorter profile than other models. This allows **EC-151** to operate in tight floor space and ceiling height environment, three versions of this robot: **EC-151A/B/C** provide various combinations of the vertical and horizontal reach based on the project requirements.

Operating Range

		Dimensions (mm)					
		A	B	C	D	E	F
EC-151A	2023		470	1430	950	1300	1900
EC-151B			545	1605	950	1200	2150
EC-151C			345	1255	950	1400	1600

Details provide are for reference purposes only. All dimensions are in metric (millimeters)



EC-151 Series Technical Specifications

Fuji ACE Model	EC-151A	EC-151B	EC-151C	
Type of Motion	Multi-Articulated			
Action Mode	Cylindrical			
Load Capacity (Including End Effector)	100 kg (220 lbs)			
Palletizing Capacity (cycles / hour)	1250			
Degree of freedom	4 axis (up to 5)			
Operating Area	Z axis (vertical)	1900mm (74.8")	2150mm (84.6")	1600mm (63")
	R axis (longitudinal)	1300mm (51.2")	1200mm (47.2")	1400mm (55.1")
	Theta axis (rotation)	330°		
	Alpha axis (wrist)	330°		
Repeatability	± 0.5mm			
Memory	400 programming locations available			
Teaching method	Teaching playback / Teaching Support			
Power Requirements	(208 / 220V, 3 phase, 50 / 60 Hz)			
Power Consumption (Without Peripheral Equipment Load)	3.5 KVA / 9.7 amps			
Robot Weight (Without End Effector)	750 kg (1653 lbs)			
Maximum Air Pressure	120 psi (0.827 MPa)			
Pneumatic Consumption (*Using Standard Fuji Case or Bag End Effector)	*5.7 SCFM @ 70 psi (.48 MPa)			

Note: Capacity rates can be significantly affected by layouts, product types, and can be confirmed after a detailed analysis of an application.